



SAT-10

10" TRAPEZOIDAL SPEAKER SYSTEM

MAIN FEATURES:

- High performance series for installation and small events.
- Full-Range 10" compact speaker system
- Two way bass-reflex design
- 250 W RMS Capacity
- 120°X90° Horn coverage
- Frequency response: 62-19000 Hz (-6dB)



1.1- LOW SECTION

- It consists in a 10" speaker in a bass-reflex enclosure
- 2" voice coil in a powerful magnetic structure
- POWER : 220 W RMS
- SPL : 97.5 dB (1W/1M)
- IMPEDANCE : 8 OHM

1.2.- HIGH SECTION

- It consists in a 1" tweeter driver working in a constant directivity horn.
- High frequency driver constructed with ferroelectric materials. Also, the diaphragm is made of polycarbonate to reduce harmonic distortion and improve high frequency response.
- POWER : 30 W R.M.S
- SPL : 105 dB (1W/1M)

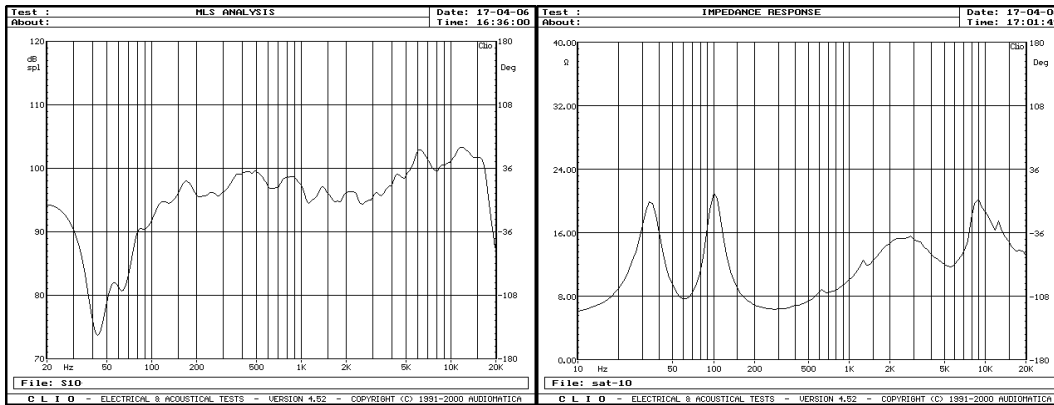
1.3.- PASSIVE FILTER SECTION

- It consists in a high-pass passive filter
- CROSSOVER FREQUENCY: 4000 Hz
- CROSSOVER SLOPES: 18 dB PER OCTAVE FOR HIGH WAY

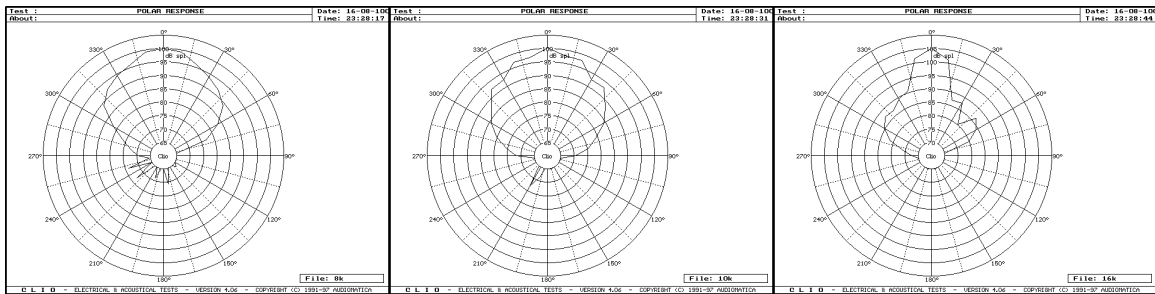
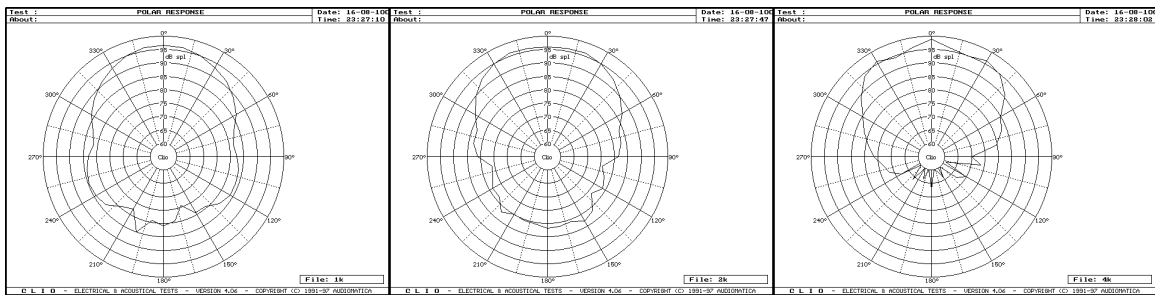
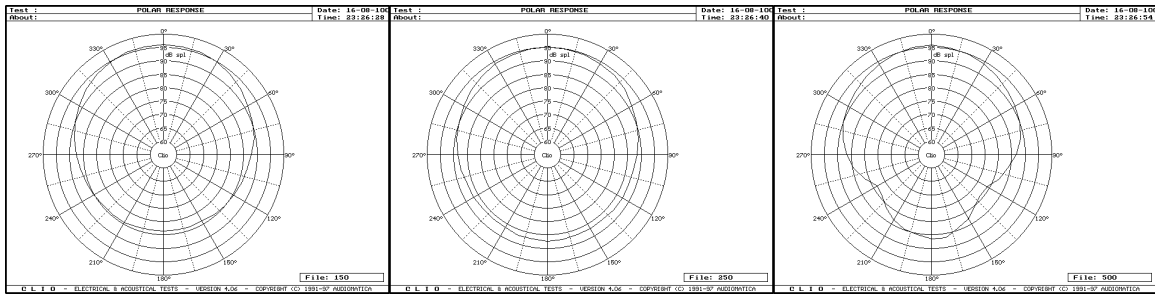
2.- SYSTEM SPECIFICATIONS

-AXIAL FREQUENCY RESPONSE: 62-19000 Hz
 -POWER : 250 W RMS / 1000 W PEAK
 -SENSITIVITY (1W/1m) : 97.5 dB
 -SPL MAX. : 126 dB PEAK
 -IMPEDANCE NOMINAL : 8 OHM
 MINIMUM : 6 OHM
 -BOX TUNING FREQUENCY : 60 Hz
 -INPUT CONECTIONS : TWO NEUTRIK SPEAKON NL4MP
 CONNECTORS IN PARALLEL (+1,-1)
 -ENCLOSURE MATERIAL : 15mm Medium Density Fiber
 -ENCLOSURE FINISH : BLACK TEXTURED PAINT WATER BASED
 -GRILLE : STURDY 1.5 mm STEEL EPOXY PAINTED
 -DIMENSIONS : HEIGHT : 465 mm
 WIDTH : 310 mm
 DEPTH : 300 mm
 -NET WEIGHT : 11 Kg

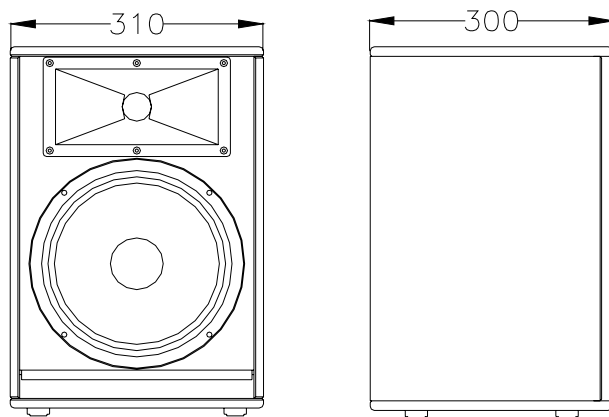
ON AXIS FREQUENCY AND IMPEDANCE RESPONSE



POLAR CURVES FROM 150 HZ TO 16 KHZ



DIMENSIONS



MUSICSON®

Dr Mora Sanz s/n -
Telephone: (+34) 963 790 358 - 902 152 906
E-mail: musicson@musicson.com
Web: <http://www.musicson.com>